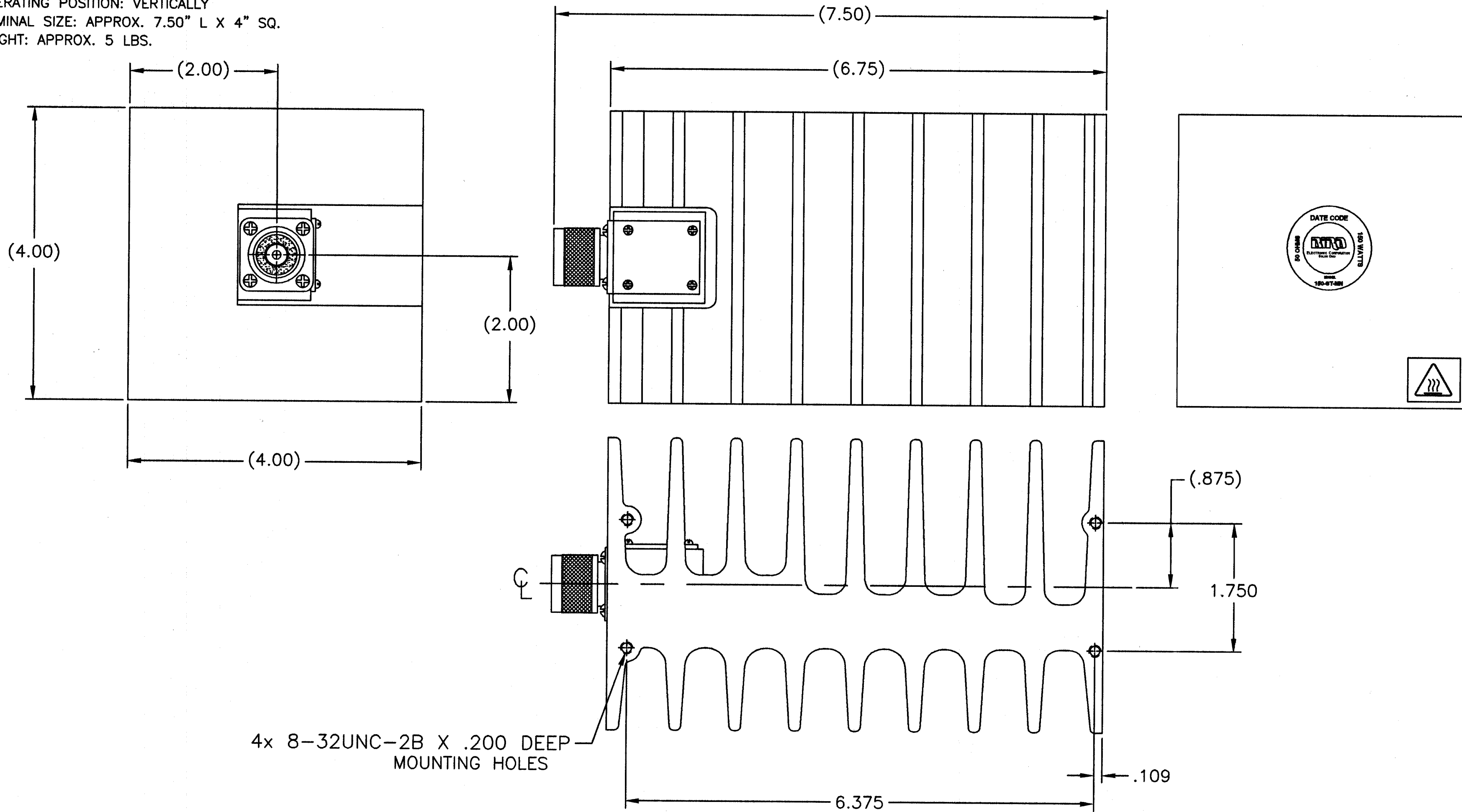


IMPEDANCE: 50 OHMS NOMINAL
 FREQUENCY RANGE: DC TO 2.4GHz
 VSWR: DC TO 1GHz AT 1.10:1 MAX.
 1GHz TO 2.4GHz AT 1.25:1 MAX.
 POWER RATING: 150 WATTS MAX. @ 40°C.
 180 WATTS MAX. @ 25°C.
 COOLING FIN: ALUMINUM, BLACK ANODIZED
 HEAT SPREADER: ALUMINUM, TRI-ALLOY PLATED
 CONNECTOR: N-TYPE MALE, TRI-ALLOY PLATED
 OPERATING POSITION: VERTICALLY
 NOMINAL SIZE: APPROX. 7.50" L X 4" SQ.
 WEIGHT: APPROX. 5 LBS.

REVISIONS		DWG. NO.	SHEET	REV
ZONE	REV	DESCRIPTION	DATE	APPROVED
	A	RELEASED TO PRODUCTION	12-15-98	MBJ



4x 8-32UNC-2B X .200 DEEP MOUNTING HOLES

DIMENSIONS HEREON ARE FOR CUSTOMER
 CONVENIENCE AND REFERENCE ONLY.
 TOLERANCE TO BE APPLIED ONLY WHERE
 INDIVIDUALLY STATED ON THE RESPECTIVE
 DIMENSION. -DO NOT SCALE DRAWING-

- NOTES:
- ☒ 1. PART MUST BE BURR FREE.
 - ☒ 2. CHAMFER 1st THREAD.
 - ☒ 3. 63 MICROINCH UNLESS OTHERWISE SPECIFIED.
 - ☐ 4. PER BPS _____.
 - ☒ 5. .005 RADIUS ON ALL INSIDE & OUTSIDE CORNERS UNLESS OTHERWISE SPECIFIED.

UNLESS OTHERWISE SPECIFIED DIMENSIONS ARE IN INCHES TOLERANCES ARE:		MILLIMETERS X = ±.4 XX = ±.12		THIS DRAWING IS THE PROPERTY OF THE BIRD ELECTRONIC CORPORATION. THE DESIGNS AND SPECIFICATIONS DISCLOSED HEREON ARE PROPRIETARY AND SHALL NOT BE REPRODUCED, NOR COPIED, NOR USED AS THE BASIS FOR THE MANUFACTURE OR SALE OF APPARATUS OR DEVICES WITHOUT THEIR EXPRESS WRITTEN CONSENT.																																			
FRACTIONS	DECIMALS	ANGLES		<table border="1"> <tr> <td>APPROVALS</td> <td>DATE</td> <td colspan="2">TITLE</td> </tr> <tr> <td>DRAWN D.M.RINK</td> <td>4-4-03</td> <td colspan="2">TERMINATION, N-TYPE MALE, 150W</td> </tr> <tr> <td>CHECKED</td> <td></td> <td>SIZE</td> <td>FSCM NO.</td> <td>DWG. NO.</td> <td>REV</td> </tr> <tr> <td></td> <td></td> <td>C</td> <td>70998</td> <td>150-ST-MN</td> <td>A</td> </tr> <tr> <td colspan="2">FINISH</td> <td>SCALE</td> <td>COMB CODE</td> <td>SHEET</td> <td></td> </tr> <tr> <td colspan="2"></td> <td>1:1</td> <td>LD1</td> <td>1 OF 1</td> <td></td> </tr> </table>				APPROVALS	DATE	TITLE		DRAWN D.M.RINK	4-4-03	TERMINATION, N-TYPE MALE, 150W		CHECKED		SIZE	FSCM NO.	DWG. NO.	REV			C	70998	150-ST-MN	A	FINISH		SCALE	COMB CODE	SHEET				1:1	LD1	1 OF 1	
APPROVALS	DATE	TITLE																																					
DRAWN D.M.RINK	4-4-03	TERMINATION, N-TYPE MALE, 150W																																					
CHECKED		SIZE	FSCM NO.	DWG. NO.	REV																																		
		C	70998	150-ST-MN	A																																		
FINISH		SCALE	COMB CODE	SHEET																																			
		1:1	LD1	1 OF 1																																			
± 1/64	± .010	± 30°																																					
DO NOT SCALE DRAWING																																							

